

SONAI[®]

Stand 14" with Remote

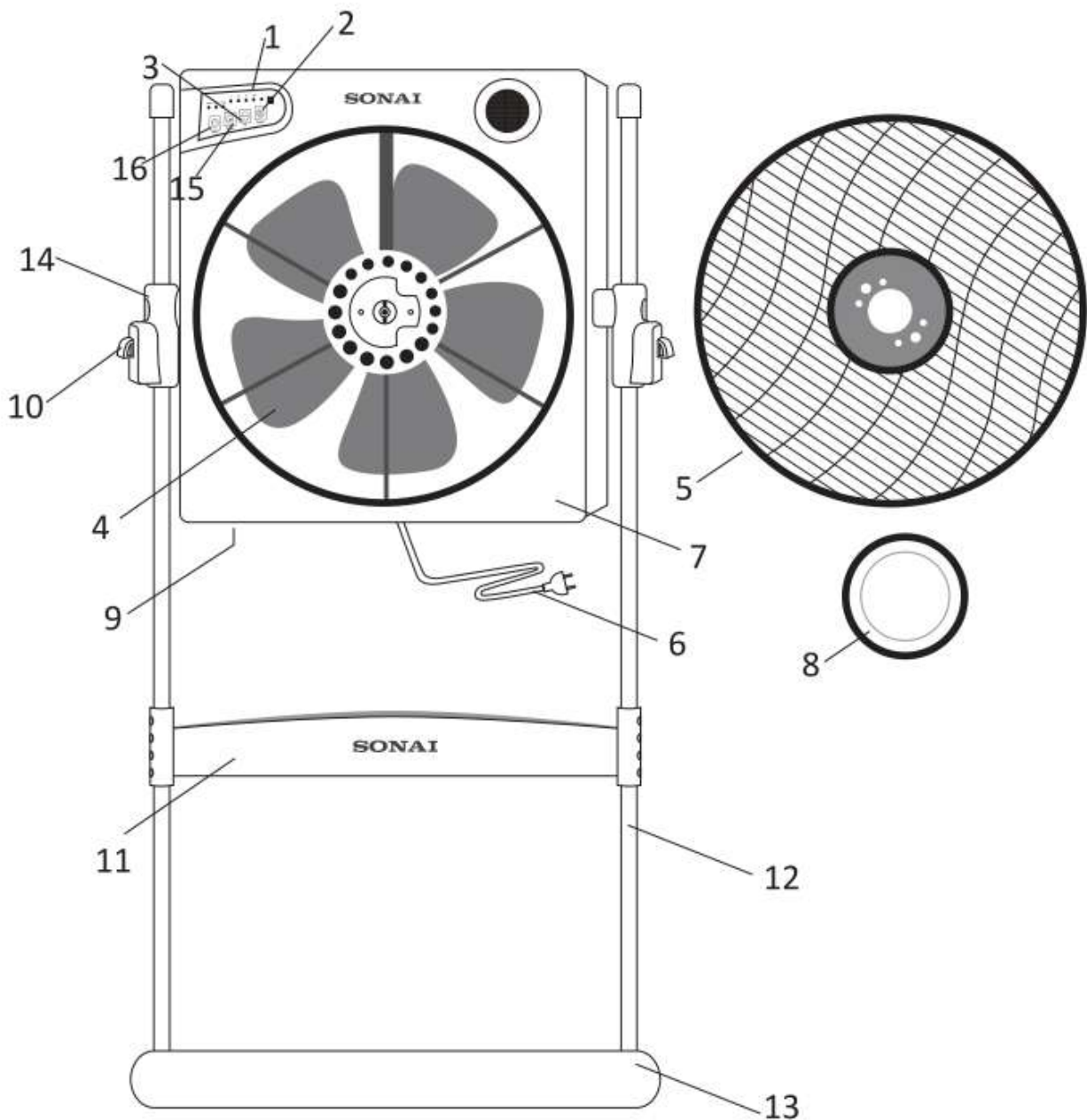
MAR-4014RT



Instruction Manual



www.sonaiworld.com



1	Switch panel	9	Back face
2	Power	10	Side knobs
3	Grill	11	Horizontal Plastic holder
4	5 fan blades	12	Stainless tubes
5	Grill	13	Plastic base
6	Cord	14	Plastic slots
7	Front face	15	Speed
8	Grill cap	16	Timer

SAVE THESE INSTRUCTIONS

While using electrical appliances, in order to reduce the risk of fire, electric shock or injury to persons, basic safety precautions should be followed, including the following:

- Read all instructions carefully, even if you are familiar with the appliance.
- The blades are very sharp! Handle with care.
- To protect against the risk of electric shock, DO NOT IMMERSE the appliance, cord set or plug in water or other liquids.
- To clean, wipe the exterior with a damp cloth.
- Close supervision is necessary when any appliance is used near children. Never leave an appliance unattended when in use.
- If the supply cord is damaged, it must be replaced by the manufacturer or its service agent or a similarly qualified person in order to avoid a hazard.
- Switch off and remove the plug from the power outlet when not in use before assembling or disassembling parts, cleaning or carrying out any maintenance of the appliance. Never pull the cord while unplugging out from power outlet.
- Do not operate the appliance if it is damaged in any manner. Return the complete appliance to your nearest authorized service facility for examination, electrical repair, mechanical repair or adjustments to avoid any hazard.
- The use of attachments or accessories not recommended or sold by Sonai may result in fire, electric shock or personal injury.
- Do not let the cord hang over the edge of a table, counter, or touch hot surfaces.
- Do not operate or place any part of this appliance on or near any hot surfaces (such as gas or electric burner or in a heated oven).
- Do not abuse the cord. Never carry the appliance by the cord or yank it to disconnect it from the outlet; instead, grasp the plug and pull to disconnect.
- When using an extension cord with your appliance, make sure the extension cord is correctly wired, and rated for its use.
- This product is intended for household use only.
- Do not attempt to repair the appliance yourself; instead, take it to your Authorized Service Centre for repair.
- Always leave sufficient space around the appliance for ventilation.
- Do not use the unit if you have wet hands or bare feet.
- Switch off the appliance before changing accessories or approaching parts which move in use.
- This appliance is not intended for use by persons (including children) with reduced physical, sensory or mental capabilities, or lack of experience and knowledge, unless they have been given supervision or instruction concerning use of the appliance by a person responsible for their safety.
- Children must be supervised to ensure that they do not play with the appliance.
- Do not touch moving parts
- Never insert fingers or any other objects through the grill/ blades

- whenever the power plug is connected, especially while rotating.
- The fan must not be used if the grill is not fastened according to instructions.
 - Please make sure the plug is fully plugged-in before use.
 - The appliance is for household use only.
 - Do not immerse the fan in water or allow water to drip into the interior of the fan housing as this could create a fire or electric shock hazard.
 - Do not attempt to repair the fan yourself. Doing so could void the warranty and cause damage or personal injury.

BEFORE FIRST USE

- Remove all packaging material.
- Remove any stickers from the appliance.
- Make sure that the appliance is placed on a stable, flat, clean, dry and non-slip surface.

REMOTE CONTROL ASSEMBLY

1. Remove the battery compartment cover as shown in fig. (1) and place (CR2025) batteries into the battery compartment of the remote control.
2. Insert battery compartment in the remote control again until it closed.

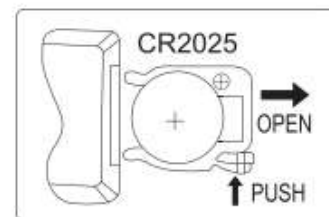


fig. (1)

OPERATION INSTRUCTIONS

1. Use in a dry place, free of water and excessive humidity.
2. Connect the fan cord to any plug or socket.
3. To switch the fan on with the remote control, press The "Power" To switch the fan off, press the "power" switch again.
4. The speed is adjusted by pressing repeatedly on the "Speed" button on the remote control or on the switch box of the fan.
5. Press the timer knob and the required time starts, timer control can be adjusted up to 2 hour.
 - Adjust the timer knob to 30, the fan will be off after 30 minutes; 60 the fan will be off after 60 minutes and so on.
6. Press on "SW" to operate the rotating front grill. When rotating the airflow will cover a wider area and help to circulate the air throughout the room. To stop the front grill press "SW" again.
7. Natural breeze and Sleep breeze setting

Setting 1: Press the "MODE" button once on the remote control. The fan



speed will automatically vary from faster and slower, the appropriate LED light on the front of the fan will go out.

Setting 2: Press the “MODE” button again to activate this setting. This function varies the fan speed from fast to slow.

The appropriate LED light on the front of the fan will go out.

Setting 3: Natural breeze and sleep breeze off, Press the “MODE” button a third time to switch off the Natural breeze and sleep breeze function. The appropriate LED light (normal) on the front of the fan will lights up.

ASSEMBLING THE STAND FAN

- 1- Insert the stainless tubes (no.12) on the plastic base (no. 13) and tighten the screws.
- 2- Set the horizontal plastic holder (no. 11) on the stainless tubes; be sure that the tubes are in the correct position.
- 3- Insert the two stainless tubes through the plastic slots (no. 14) of the fan body by pulling out the side “Right & Left” knobs (no. 10).
- 4- Install the fan body in the stainless tubes base and tighten the screws.
 - Adjust the desired fan height by pulling out the side “Right & Left” Knobs, move up or down and then release the knobs.
 - Adjust airflow position by moving the fan body backward or forward.

CLEANING AND MAINTENANCE

- Always disconnect the cord from the electrical socket when cleaning your fan.
- Disassemble screws located in the back of the fan.
- Disassemble screws located in the blades.
- Clean the blades with a moist cloth and dry it well.
- Clean the motor of the appliance with moist cloth and dry it well.
- Disassemble the grill cap (shape No.8) in a clockwise direction.
- Clean the grill with a moist cloth.
- Avoid the use of gasoline, thinner, etc as they may cause damage to the fan.
- Do not wash with water.
- Do not use hard objects to clean the fan.
- Regular cleaning is suggested to avoid dirt blockage that may result in mechanical failure.
- Store the fan in a clean dry place when not in use.

ELECTRICAL SAFETY



Always check that the power supply corresponds to the voltage on the rating plate.

To avoid the risk of electric shock, do not immerse the cord, plug or motor unit in water or other liquid.

PROTECTING THE ENVIRONMENT



This marking indicates that this product should not be disposed with other household wastes throughout the EU. To prevent possible harm to the environment or human health from uncontrolled waste disposal, recycle it responsibly to promote the sustainable reuse of material resources. To return your used device, please use the return and collection systems or contact the retailer where the product was purchased. They can take this product for environment safe recycling.

السلامة الكهربائية

التأكد من توافق محول الكهرباء مع الجهد الكهربائي للجهاز في لوحة البيان.
تجنب غمر السلك أو القابس في أي سوائل لتجنب خطر الصدمة الكهربائية.



حماية البيئة

تشير هذه العلامة إلى ضرورة عدم التخلص من المنتج بعد تلفه بالطرق العادية للتخلص من النفايات المنزلية في دول الاتحاد الأوروبي، لمنع حدوث أي أضرار محتملة تؤثر سلباً على البيئة أو صحة الإنسان نتيجة لإتباع طرق التخلص من المخلفات بصورة غير منضبطة أو إعادة تدويرها بشكل يسمح بإعادة استخدامها بصورة مستمرة. لكي يتسنى لك إعادة المنتج بعد استخدامه، يرجى إتباع أنظمة الإعادة والتجميع أو الاتصال بتاجر التجزئة الذي اشترى منه المنتج حيث يمكنه تدويره بطريقة آمنة على البيئة.



طريقة تركيب المروحة الإستاند

١. أدخل المواسير الاستانلس ستيل (رقم ١٢) على القاعدة البلاستيكية (١٣) وأحكم تثبيت المسامير.
 ٢. ضع الحامل البلاستيكي العارضى (١١) على المواسير الاستانلس، تأكد من أن المواسير في مكانها الصحيح.
 ٣. أدخل ماسورتي الأستانلس ستيل خلال الفتحات البلاستيكية (١٤) الموجودة في هيكل المروحة عن طريق سحب الأزرار الجانبية (١٠) للخارج الموجودة في «يمين ويسار» الهيكل.
 ٤. قم بتركيب هيكل المروحة في قاعدة المواسير الأستانلس ستيل (١٣) وأحكم تثبيتها من خلال المسامير.
- اضبط ارتفاع المروحة المرغوب فيه عن طريق سحب الأزرار الجانبية للخارج الموجودة في «يمين ويسار» هيكل المروحة. وحرك لأعلى أو أسفل ثم حرر الأزرار.
 - اضبط وضع تدفق الهواء عن طريق تحريك هيكل المروحة للخلف أو للأمام.

التنظيف والصيانة

- احرص على فصل الكابل من منفذ الكهرباء عند تنظيف المروحة.
- فك المسامير في الجانب الخلفي من المروحة.
- فك المسامير الموجودة في الشفرات.
- قم بتنظيف الشفرات باستخدام قطعة قماش مبللة وجففها جيدًا.
- قم بتنظيف المحرك الخاص بالجهاز باستخدام قطعة قماش مبللة وجففه جيدًا.
- قم بفك غطاء الشبكة (الشكل رقم ٨) باتجاه عقارب الساعة.
- قم بتنظيف الشبكة باستخدام قطعة قماش مبللة.
- تجنب استخدام الجازولين، أو التتر أو ما إلى ذلك لأنها قد تسبب في إلحاق التلف بالمروحة.
- لا تغسلها بالمياه.
- لا تستخدم أشياء صلبة لتنظيف المروحة.
- يوصى بالتنظيف المنتظم لتجنب تراكم الأتربة الذي قد يؤدي إلى تعطل الجهاز.
- قم بتخزين المروحة في مكان نظيف وجاف في حالة عدم استخدامها.