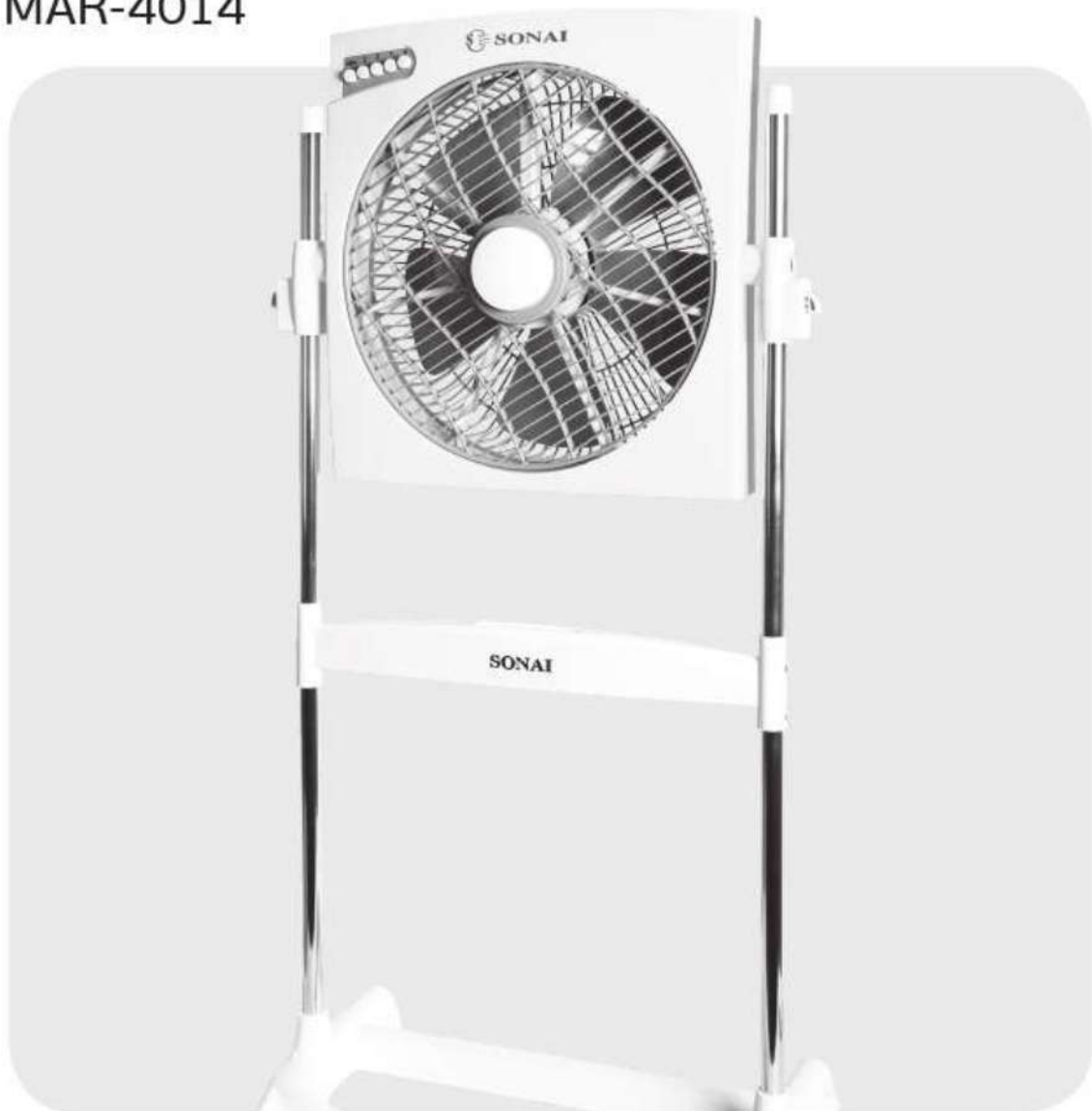


SONAI[®]

Stand Fan 14"

MAR-4014WT

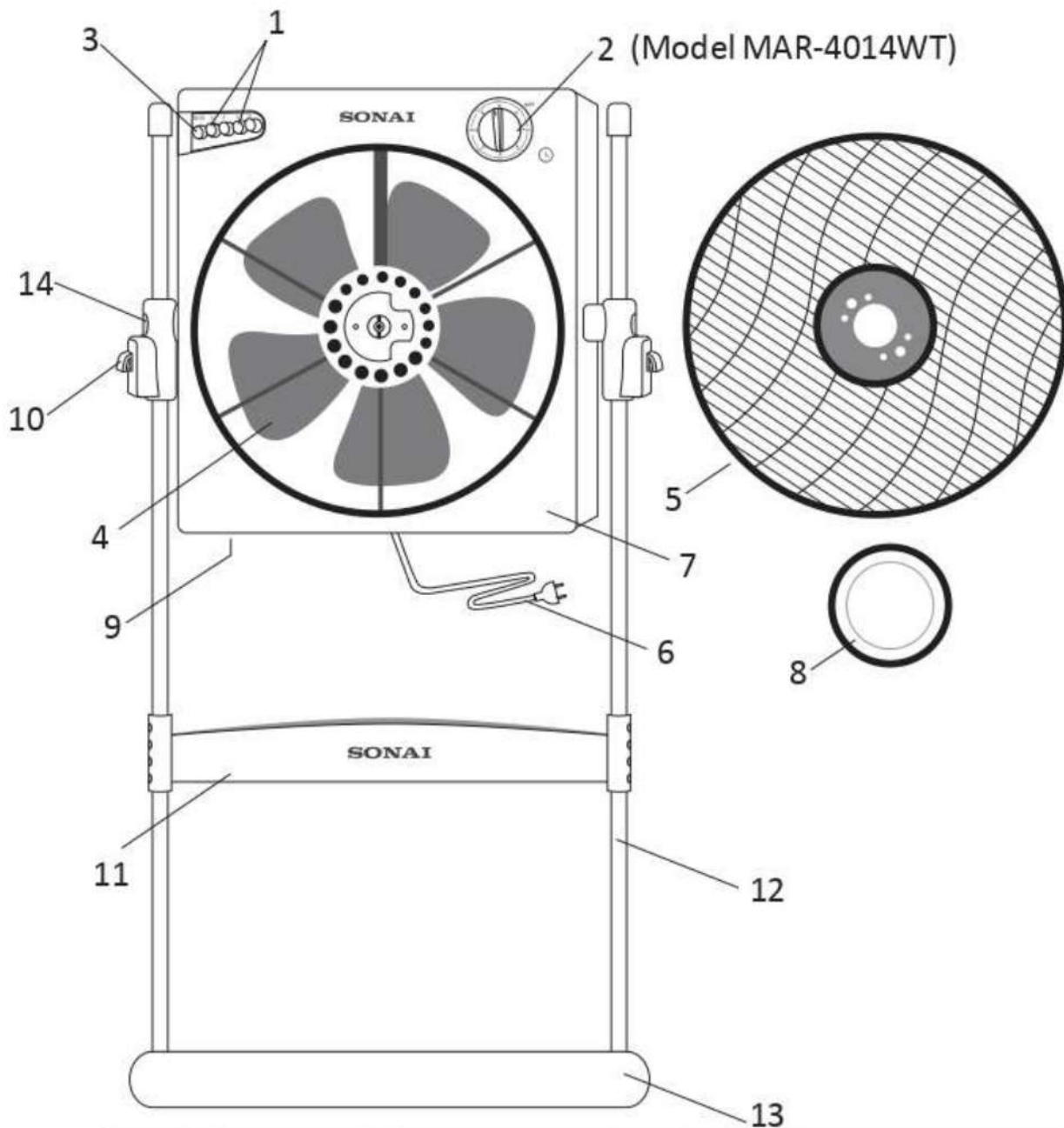
MAR-4014



Instruction Manual



www.sonaiworld.com



1	Three Speeds buttons	8	Grill cap
2	Timer knob (Model 4014WT)	9	Back face
3	Grill button	10	Side knobs
4	5 fan blades	11	Horizontal Plastic holder
5	Grill	12	Stainless tubes
6	Cord	13	Plastic base
7	Front face	14	Plastic slots

Save These Instructions

While using electrical appliances, in order to reduce the risk of fire, electric shock or injury to persons, basic safety precautions should be followed, including the following:

- Read all instructions carefully, even if you are familiar with the appliance.
- The blades are very sharp! Handle with care.
- To protect against the risk of electric shock, DO NOT IMMERSE the appliance, cord set or plug in water or other liquids.
- To clean, wipe the exterior with a damp cloth.
- Close supervision is necessary when any appliance is used near children. Never leave an appliance unattended when in use.
- If the supply cord is damaged, it must be replaced by the manufacturer or its service agent or a similarly qualified person in order to avoid a hazard.
- Switch off and remove the plug from the power outlet when not in use before assembling or disassembling parts, cleaning or carrying out any maintenance of the appliance. Never pull the cord while unplugging out from power outlet.
- Do not operate the appliance if it is damaged in any manner. Return the complete appliance to your nearest authorized service facility for examination, electrical repair, mechanical repair or adjustments to avoid any hazard.
- The use of attachments or accessories not recommended or sold by Sonai may result in fire, electric shock or personal injury.
- Do not let the cord hang over the edge of a table, counter, or touch hot surfaces.
- Do not operate or place any part of this appliance on or near any hot surfaces (such as gas or electric burner or in a heated oven).
- Do not abuse the cord. Never carry the appliance by the cord or yank it to disconnect it from the outlet; instead, grasp the plug and pull to disconnect.
- When using an extension cord with your appliance, make sure the extension cord is correctly wired, and rated for its use.
- This product is intended for household use only.
- Do not attempt to repair the appliance yourself; instead, take it to your Authorized Service Centre for repair.
- Always leave sufficient space around the appliance for ventilation.
- Do not use the unit if you have wet hands or bare feet.
- Switch off the appliance before changing accessories or approaching parts which move in use.
- This appliance is not intended for use by persons (including children) with reduced physical, sensory or mental capabilities, or lack of experience and knowledge, unless they have been given supervision or instruction concerning use of the appliance by a person responsible for their safety.
- Children must be supervised to ensure that they do not play with the appliance.
- Do not touch moving parts.

- Never insert fingers or any other objects through the grill/ blades whenever the power plug is connected, especially while rotating.
- The fan must not be used if the grill is not fastened according to instructions.
- Please make sure the plug is fully plugged-in before use.
- Do not immerse the fan in water or allow water to drip into the interior of the fan housing as this could create a fire or electric shock hazard.
- Do not attempt to repair the fan yourself. Doing so could void the warranty and cause damage or personal injury.

BEFORE FIRST USE

- Remove all packaging material.
- Remove any stickers from the appliance.
- Make sure that the appliance is placed on a stable, flat, clean, dry and non-slip surface.

HOW TO USE YOUR STAND FAN FROM SONAI

- Use in a dry place, free of water and excessive humidity.
 - Connect the fan cord to any plug or socket.
- 1- To set the airflow speed push the speed buttons to obtain desired fan speed:
 - 0 = OFF
 - 1 = LOW
 - 2 = MEDIUM
 - 3 = HIGH
 - 2- Press the grill button (3) to operate the rotating front grill. When rotating, the airflow will cover a wider area and help to circulate air throughout the room.
 - 3- To stop the front rotating grill press the grill button.
 - 4- To stop the fan blades press the 0 button.

5- *For Mar-4014 WT Model*

- Turn the timer knob (No.2) to "ON" or the required time to start the fan.
- Timer control can be adjusted up to 2 hours.
- Turn the timer knob to 40, the fan will be off after 40 minutes; 80 means the fan will be off after 80 minutes and so on.
- Turn the timer knob to "0", the fan will completely turn OFF

HOW TO ASSEMBLE YOUR STAND FAN FROM SONAI

- 1- Insert the stainless tubes (12) on the plastic base (13) and tighten the screws.
- 2- Set the horizontal plastic holder (no. 11) on the stainless tubes; be sure that the tubes are in the correct position.
- 3- Insert the two stainless tubes through the plastic slots (14) of the fan body by pulling out the side "Right & Left" knobs (10).
- 4- Install the fan body in the stainless tubes base and tighten the screws.
 - Adjust the desired fan height by pulling out the side "Right & Left" Knobs, move up or down and then release the knobs.
 - Adjust airflow position by moving the fan body backward or forward.

CLEANING AND MAINTENANCE

- Always disconnect the cord from the electrical socket when cleaning your fan.
- Disassemble screws (*) **Figure 1** located in the back of the fan.
- Disassemble screws located in the blades.
- Clean the blades with a moist cloth and dry it well.
- Clean the motor of the appliance with moist cloth and dry it well.
- Disassemble the grill cap (No.8) in a clockwise direction.
- Clean the grill with a moist cloth.
- Avoid the use of gasoline, thinner, etc as they may cause damage to the fan.
- Do not wash with water.
- Do not use hard objects to clean the fan.
- Regular cleaning is suggested to avoid dirt blockage that may result in mechanical failure.
- Store the fan in a clean dry place when not in use.

ELECTRICAL SAFETY



Always check that the power supply corresponds to the voltage on the rating plate.

To avoid the risk of electric shock, do not immerse the cord, plug or motor unit in water or other liquid.

Protecting The Environment



This marking indicates that this product should not be disposed with other household wastes throughout the EU. To prevent possible harm to the environment or human health from uncontrolled waste disposal, recycle it responsibly to promote the sustainable reuse of material resources. To return your used device, please use the return and collection systems or contact the retailer where the product was purchased. They can take this product for environment safe recycling.

السلامة الكهربائية

التأكد من توافق محول الكهرباء مع الجهد الكهربائي للجهاز في لوحة البيان.
تجنب غمر السلك أو القابس في أى سوائل لتجنب خطر الصدمة الكهربائية.



حماية البيئة

تشير هذه العلامة إلى ضرورة عدم التخلص من المنتج بعد تلفه بالطرق العادية
للتخلص من النفايات المنزلية في دول الإتحاد الأوروبى، لمنع حدوث أى أضرار
محتملة تؤثر سلباً على البيئة أو صحة الإنسان نتيجة لإتباع طرق التخلص من
المخلفات بصورة غير منضبطة أو إعادة تدويرها بشكل يسمح بإعادة إستخدامها
بصورة مستمرة. لكى يتسنى لك إعادة المنتج بعد إستخدامه، يرجى إتباع أنظمة
الإعادة والتجميع أو الإتصال بتاجر التجزئة الذى اشترى منه المنتج حيث يمكنه
تدويره بطريقة آمنة على البيئة.



- اضبط ارتفاع المروحة المرغوب فيه عن طريق سحب الأزرار الجانبية للخارج الموجودة في «يمين ويسار» هيكل المروحة. وحرك لأعلى أو أسفل ثم حرر الأزرار.
- اضبط وضع تدفق الهواء عن طريق تحريك هيكل المروحة للخلف أو للأمام.

التنظيف والصيانة

- احرص على فصل الكابل من منفذ الكهرباء عند تنظيف المروحة.
- فك المسامير (*) شكل رقم 1 في الجانب الخلفي من المروحة.
- فك المسامير الموجودة في الشفرات.
- قم بتنظيف الشفرات باستخدام قطعة قماش مبللة وجففها جيداً.
- قم بتنظيف المحرك الخاص بالجهاز باستخدام قطعة قماش مبللة وجففه جيداً.
- قم بفك غطاء الشبكة (8) باتجاه عقارب الساعة.
- قم بتنظيف الشبكة باستخدام قطعة قماش مبللة.
- تجنب استخدام الجازولين، أو التتر أو ما إلى ذلك لأنها قد تسبب في إلحاق التلف بالمروحة.
- لا تغسلها بالمياه.
- لا تستخدم أشياء صلبة لتنظيف المروحة.
- يوصى بالتنظيف المنتظم لتجنب تراكم الأتربة الذي قد يؤدي إلى تعطل الجهاز.
- قم بتخزين المروحة في مكان نظيف وجاف في حالة عدم استخدامها.